

SESD 30 T 1000

Support arm with balancer

For ESD test station

- Support arm with carriage
- 360° swiveling

**Suitable for SESD simulators
from Schloeder GmbH**

*Suspension for SESD simulators with the suspension device
SESD 3036 or SESD 3036-N from Schlöder GmbH.*



Overview

The practical support arm with balancer for an ESD test station. The SESD simulators, such as SESD 216, 230 and SESD 30000 can be conveniently suspended. By optionally mounting a wedge, the trolley moves either to the column or to the end of the support arm.

The spring balancer ensures weight-neutralized suspension. The resting height of the ESD simulator can be adjusted with a cable clamp.

Key facts

- Rope length approx. 1,3 m
- Max. load capacity up to 3 kg



SESD 30 T 1000

Support arm with balancer

Technical data

Support arm

Type STLW 1000

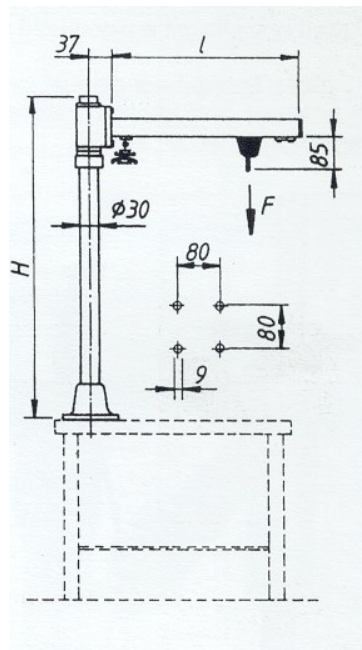
Length L	1000 mm
Height H	1600 mm
Max. load capacity F	3 kg
Color	silver / black
Material	metal

Balancer (spring balancer)

Type SBAL-1020

Adjustable load	1 – 2 kg
Rope length	appr. 1,3 m

Technical drawing



All information regarding appearance and technical data correspond to the current state of development at the time of release of this data sheet. We reserve the right to make technical changes.

072202

