

## NK-SG02-D / NK-SG03-D / NK-SG05-D

### EMC – Power supply cable with choke

#### EMC – Power supply cable

- Available in 3 lengths:  
**NK-SG02-D: 2 m**  
**NK-SG03-D: 3 m**  
**NK-SG05-D: 5 m**
- With choke and ferrite ferrite sheathing (EMC/COM)
- Foil shielding made of Polyester aluminum tape
- Version with VDE/UTE and open end
- Other lengths or special design on request



**The problem solver cable for electromagnetic challenges.**

#### Overview

The prefabricated power supply cables with ferrite sheathing are an effective means against HF radiation and thus achieve an extremely high interference immunity. By sheathing the copper conductors with our extrudable "EMC/COM" material, the cable becomes a low-pass filter.

High frequencies are absorbed by the magnetic and dielectric losses of the ferrite granules, and the RF energy is converted into heat.

The attenuation is proportional to the conductor length, and the flexibility of the line is only slightly affected.

**Our cable with the best electromagnetic protection for power cables!**

#### Key facts

- Effective shielding against HF radiation
- Sheathing of the copper conductors with EMC/COM
- Highest interference immunity



# NK-SG02-D / NK-SG03-D / NK-SG05-D

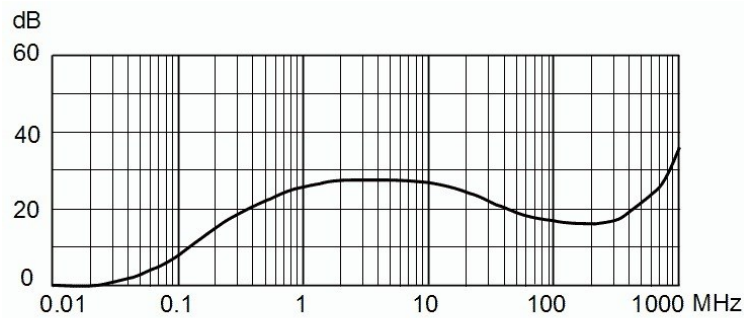
EMC – Power supply cable with choke

## Technical data

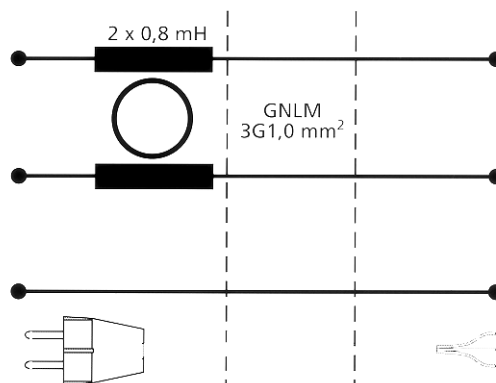
NK-SG02-D / NK-SG03-D / NK-SG05-D			
Supply voltage	max. 250 V / 50 Hz	Construction	HF absorbing mains cable GNLM 3x1 with ferrite sheathing (EMC/COM) coated conductors and a foil shielding made of Polyester aluminum tape
Rated current	10 A	Withstanding voltage	2 kV
Standard length	<b>NK-SG02-D: 2 m</b> <b>NK-SG03-D: 3 m</b> <b>NK-SG05-D: 5 m</b> (other lengths on request)		
Standard color	light grey (RAL 7035)		
Version	VDE/UTE and open end		

## Technical data II

Asymmetric attenuation



## Technical data III



All information regarding appearance and technical data correspond to the current state of development at the time of release of this data sheet. We reserve the right to make technical changes. 142204

